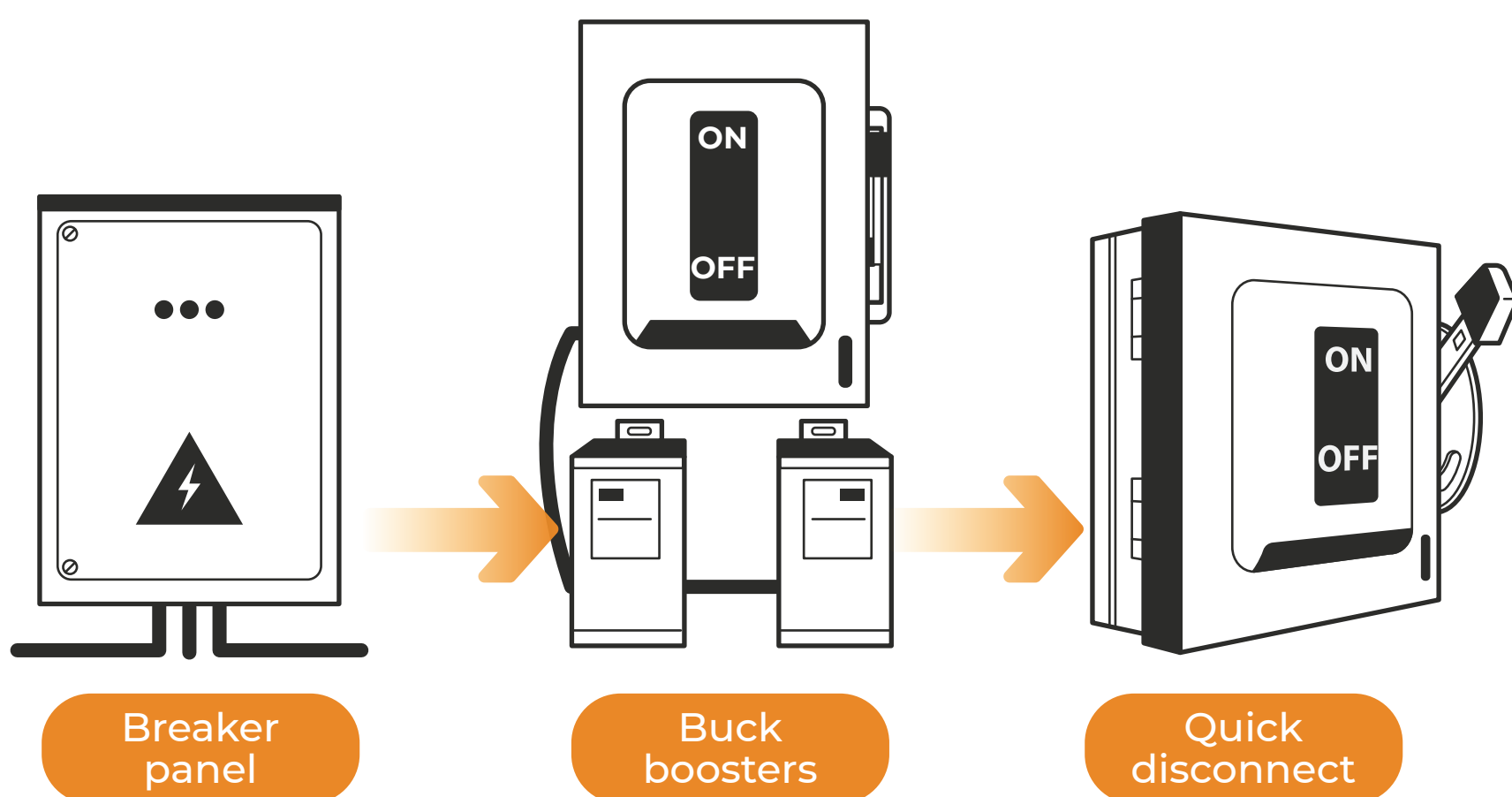


# PREP YOUR BUSINESS and EQUIPMENT ROOM

Your guide to a hassle-free installation

*Luxura*  
by Hapro  
**vegaz**

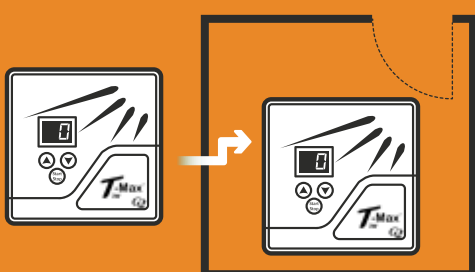
Having your **power ready** is critical for the date of installation.



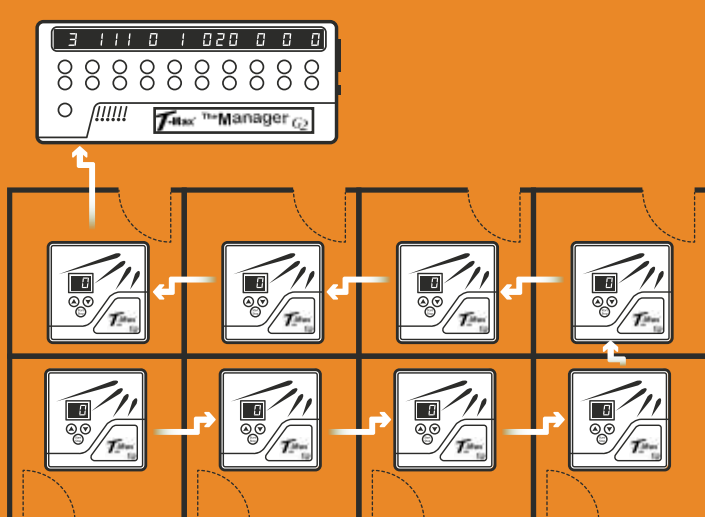
Whether you decide to place buck booster in the utility Room by the breaker panel or in the equipment room, ProSun recommends running incoming power from the breaker to the buck booster(s) and then to the quick disconnect.

## Prep your **T-Max** system before installation!

**1** Determine how many equipment rooms need to be prepped.

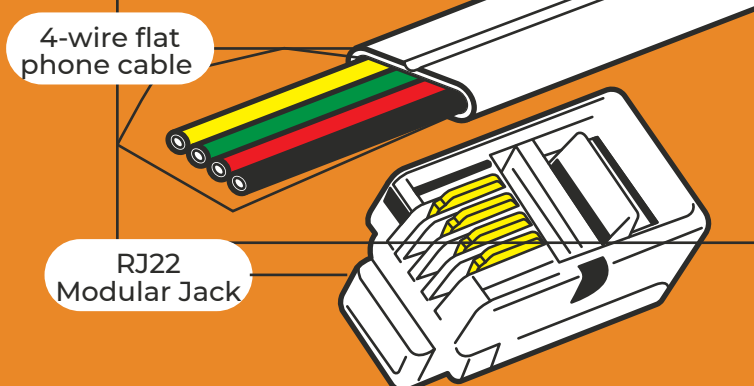


For 2 or less rooms use a front desk to room connection.

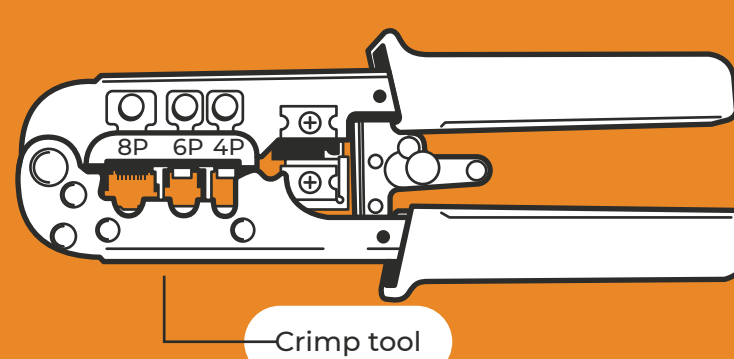


For more than 2 rooms use a daisy chain connection.

**2** Purchase the proper materials.



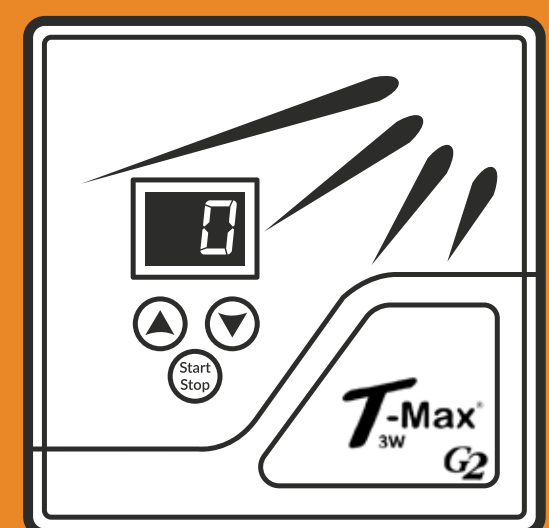
Purchase T-Max cable from ProSun or get 4-wire flat phone cable with RJ22 modular jack.



If getting your own cable get the RJ22 crimp tool. Make sure you put the ends in a straight wire pattern (where the wires line up the same on each end where the jack is crimped on).

**!** Bad crimp = faulty T-Max connections

**3** Run the cable connections.



All T-Max cables must be ready and in place prior to installation.

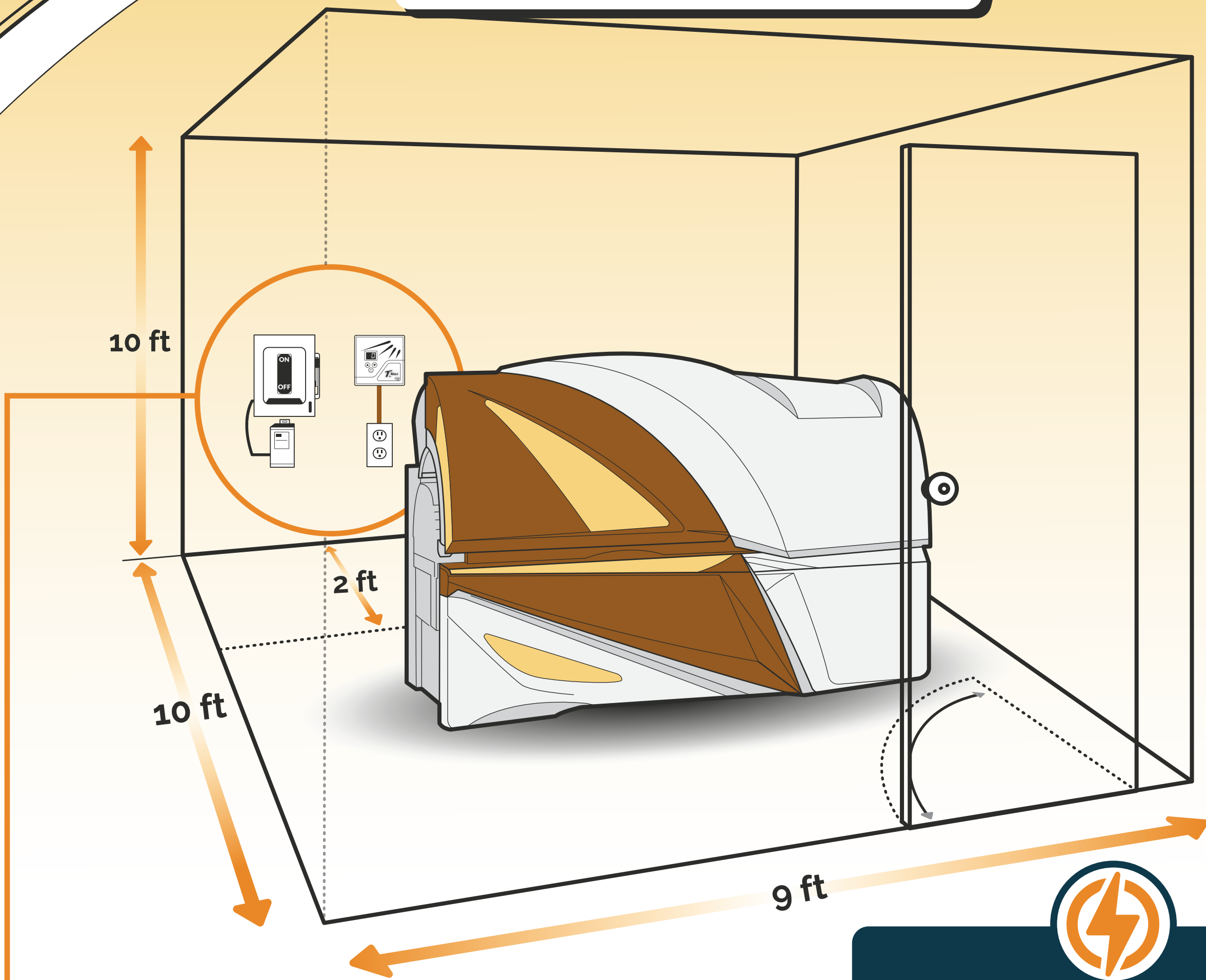
For single room : Start at front counter and run to the individual rooms, clearly labeling the room #'s.

For daisy chain : Start at front desk to room 1, room 1 to room 2, room 2 to room 3, room 3 to room 4 etc.

**!** Room configuration may differ based on room #'s or location. Cables should start at front counter and make a logical path to the last room in the chain.

Let's get your equipment room

**READY!**



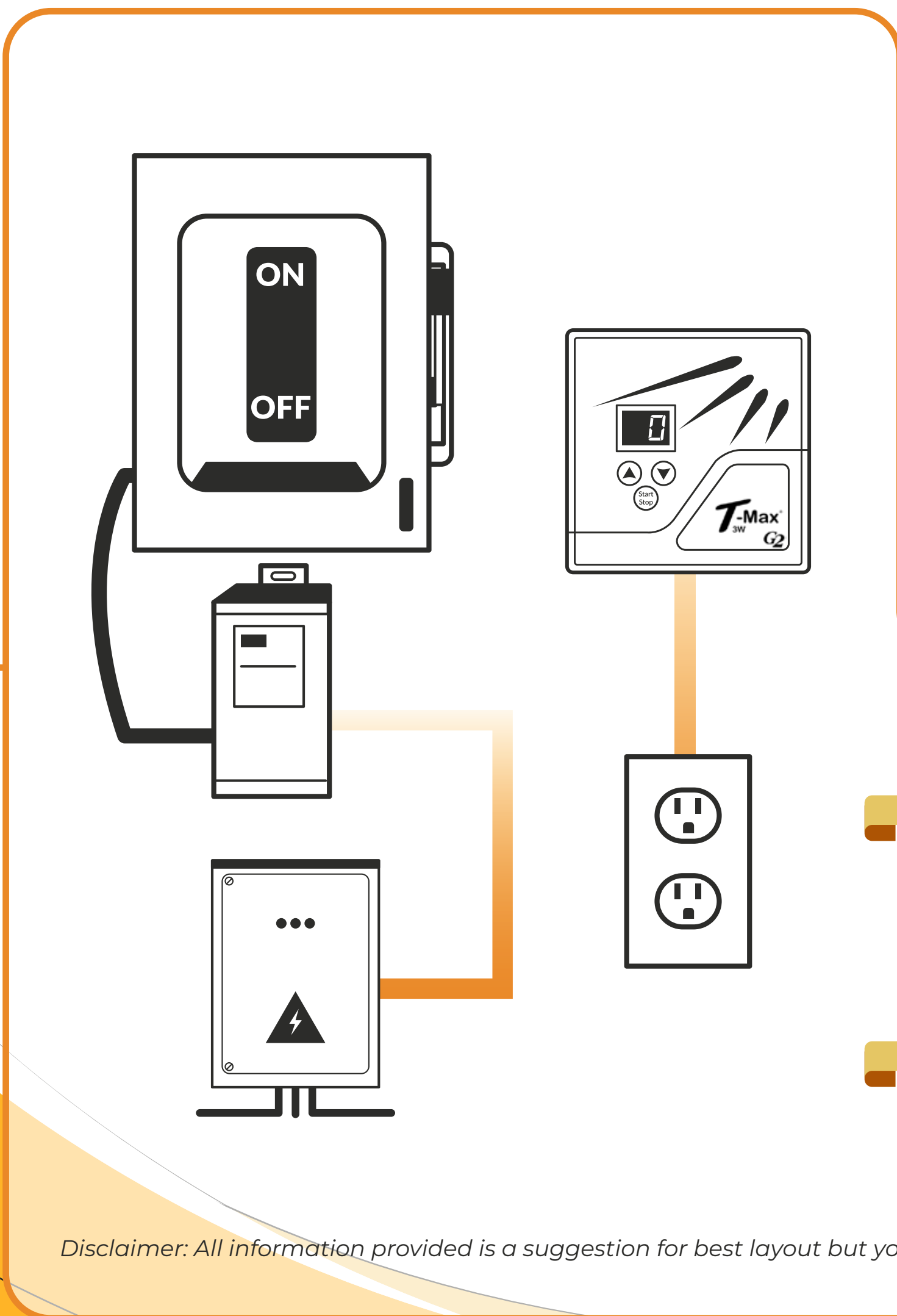
**Luxura Vegaz (10 mins)**

- Recommended room size: 9ft x 10 ft
- Breaker size requirements:  
Three Phase – 50amp  
Single Phase – 80amp
- Buck booster requirements:  
Three Phase – 2 x 1.0KVA  
Single Phase – 1 x 2.0KVA
- AC requirements:  
BTU 12000 A/C
- 110V Outlet required for T-Max

*Disclaimer: This unit should be operated at 218-235v with buckboosters installed by a licensed electrician.*



- ➔ Quick disconnect to be located a quarter of the way in from corner on the wall with clear path available, when possible place in such a way that it is hidden from sight of door entry.
- ➔ T-Max can be located behind unit as the quickstart will have users operating bed from the display in the bed.



*Disclaimer: All information provided is a suggestion for best layout but you must verify with your local electrical codes for approval.*

Contact Us

☎ 440.937.7775

✉ info@suntansupply.org